



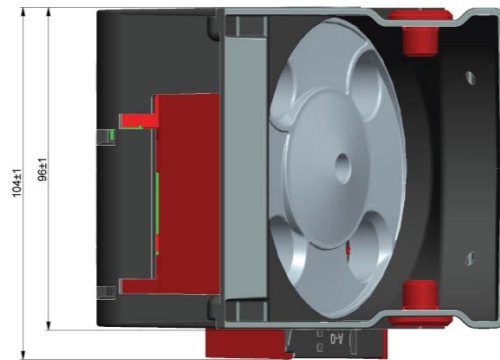
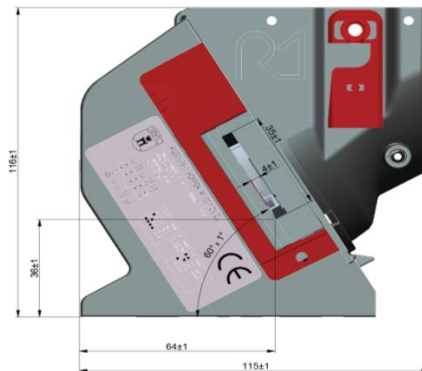
DATASHEET

41243551-0 R1_02_CCT-RE_STD_CV/CL_LS

Description

Product family	HOPPER R1
Part name	R1_02_CCT-RE_STD_CV/CL_LS
Part number	41243551
Revision number	0
Communications	ccTalk®

Product characteristics



Coin characteristics

Coin diameter	ø18 - ø21,4 mm
Coin thickness	1,6 - 2,1 mm
Speed	Up to 7,5 coins/second
Capacity *	150 coins

Environment

Working temperature	+5 to +55°C
Storage temperature	-25°C to +70°C
Relative humidity	95% RH
Maximum inclination	± 3° on all axes

Hopper Features

Level sensors	Yes
Base	Yes
Output	Left

Electrical characteristics

Voltage	Nominal	24V (±10%)
Current	Standby	150 mA
	Spinning without coins	450 mA
	Spinning with hopper full	700 mA
	Changing direction of spin	2,5 A

Mechanical characteristics

Dimensions	Width	104 ±1 mm
	Height	116 ±1 mm
	Depth	115 ±1 mm
Weight		421,1 ±10 g

Additional characteristics

Cleaning	after 500.000 coins
Life	2.000.000 coins

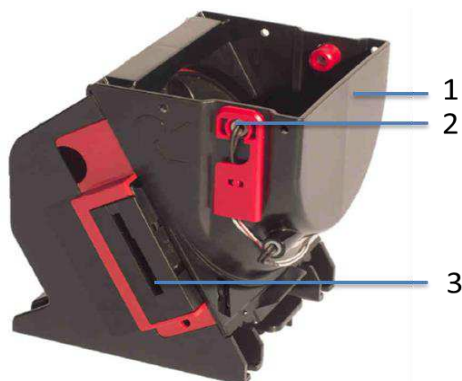
* Measured with 1 € coins.



DATASHEET

41243551-0 R1_02_CCT-RE_STD_CV/CL_LS

Product components



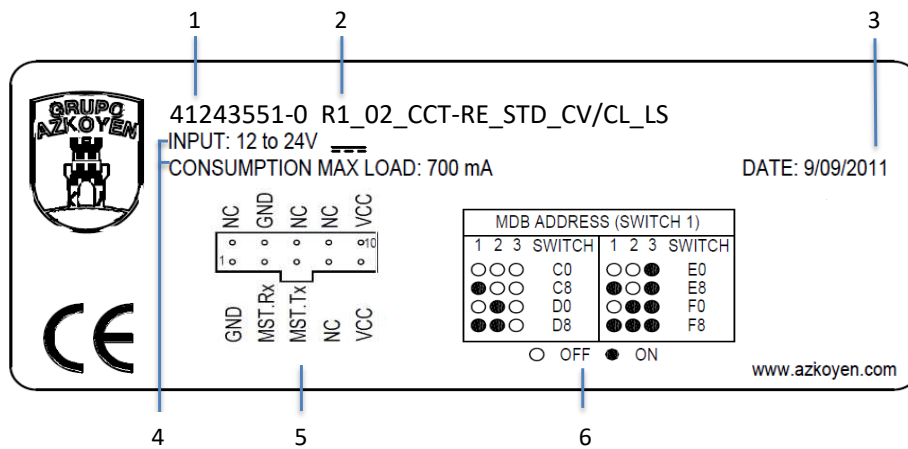
Components

1	Bowl
2	Level sensors
3	Coin output

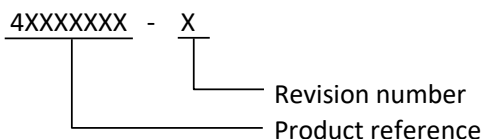
Product labeling

Description

1	Reference	4	Power characteristics
2	Product name	5	Connector pinout
3	Manufacturing date	6	Hopper configuration



Product reference decoding:



Additional information

Datasheet creation date

21/01/2020

The information contained in this technical manual provided as support for the use of the product and its tools. Azkoyen S.A., dedicates all its efforts to ensure the reliability of the information and data content in the manual, but in no way guarantees that it is exempt of typing errors and/or omissions. Due to our policy of continuous improvement of our products, this information is subject to change without previous warning. The use of our products, accessories and tools outside the specifications that are described in the manual, will be the sole responsibility of the user and under no concept will Azkoyen S.A., be held responsible for incorrect or unspecified use. Take special attention to the safety recommendations. This product is protected under international patents. It is strictly prohibited the total or partial reproduction of this manual without previous written consent from Azkoyen, S.A.